



Protection

- ① Arc Fault Protection
- ② Overload Protection
- ③ Short-Circuit Protection
- ④ Earth-Leakage Protection

Technical Data

Electrical Features	Mode	Electronic
	Type	A
	Rated current I_n	6,10,16,20,25,32,40A
	Poles	1P+N
	Rated voltage U_e	230V~
	Insulation voltage U_i	400V
	Rated frequency	50/60Hz
	Rated residual operating current ($I_{\Delta n}$)	30mA
	Break time under $I_{\Delta n}$	$\leq 0.1s$
	Rated breaking capacity	6,000A
	Energy limiting class	3
	Rated impulse with stand voltage (1.5/50) U_{imp}	4,000V
	Dielectric test voltage at ind.Freq.for 1min	2kV
	Pollution degree	2
	Thermo-magnetic release characteristic	B/C
Mechanical Features	Electrical life	4,000Cycles
	Mechanical life	10,000Cycles
	Contact position indicator	Yes
	Protection degree	IP 40 installed
	Reference temperature for setting of thermal element	30°C
	Ambient temperature (with daily average $\leq 35^\circ C$)	-5°C ~ +40°C
	Storage temperature	-5°C ~ +60°C
	Terminal connection type	Cable/Pin-type busbar
	Tightening torque for L-LINE	2.0Nm ²
	Tightening torque for L&N-LOAD	1.2Nm ²
Mounting	On DIN rail EN60715(35mm) by means of fast clip device	
Connection	Terminal	

Characteristics

Tripping Current Range	Type	Tripping current I_{Δ} /A	
		Lagging Angle	$I_{\Delta n} > 0.01A$
A	A	0°	$0.35I_{\Delta n} \leq I_{\Delta} \leq 1.4I_{\Delta n}$
		90°	$0.25I_{\Delta n} \leq I_{\Delta} \leq 1.4I_{\Delta n}$
		13°	$0.11I_{\Delta n} \leq I_{\Delta} \leq 1.4I_{\Delta n}$

Characteristics

As per IEC60898	Thermal Tripping		Magnetic Tripping		
	No tripping current	Tripping current I_t	Time Limits t	Hold current I_h	Trip current I_s
B Curve	$1.13 \times I_n$	$\leq 1h$	$3 \times I_n$	$\leq 0.1s$	
		$1.45 \times I_n$	$< 1h$	$5 \times I_n$	$< 0.1s$
C Curve	$1.13 \times I_n$	$\leq 1h$	$5 \times I_n$	$\leq 0.1s$	
		$1.45 \times I_n$	$< 1h$	$10 \times I_n$	$< 0.1s$

LED Warnings

1. With power connected and the switch in the off position, The LED is not lit. When the switch is moved to the on position, the red LED illuminates, which shows the device is energised.
2. Test button---RCBO should be tested every six months by pushing the Test button
3. Arc fault ---If the product trips, the cause could be an Arc fault. Disconnect any equipment on this circuit and switch the device on. If the red LED flashes 10 times (once/s) that indicates an arc Fault. If the fault is still present and the device will trip. Do not reset the device again. If the red LED blinks 20 times (twice/s) It indicates an overvoltage fault. If the fault persists, the device will trip. Do not reset the device again. If the red LED doesn't flash, that indicates leakage or artificial disconnect. Switch the device to the OFF position and consult a qualified electrician
4. If the device trips for any reason, please consult a qualified electrician.

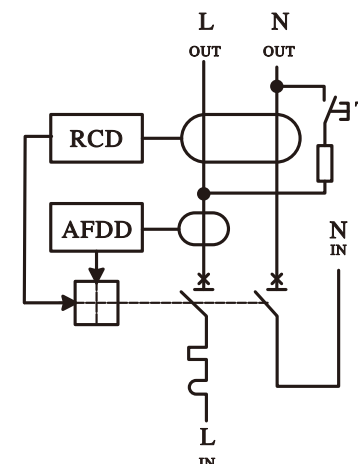
The rated voltage is 230V
The limit of action discrimination as follows:

Test arc current (Valid values)	2.5A	5A	10A	16A	32A	63A
Maximum section time	1s	0.5s	0.25s	0.15s	0.12s	0.12s

The test arc current is the expected current in the test circuit.

The small arc current below 63A runs down the limit value of the AFDD

Circuit Diagram



Overall and Installation Dimension(mm)

